

NELES

Spool valve VAQ213NC

Installation, Maintenance and
Operating Instructions



Table of contents

| | |
|-------------------------|---|
| INTRODUCTION | 3 |
| Definitions | 3 |
| LABEL DESCRIPTION | 3 |
| INSTALLATION | |
| PROCEDURE | 3 |
| TECHNICAL | |
| SPECIFICATION | 4 |
| MAINTENANCE | 4 |
| DISASSEMBLY | 4 |
| Disassembly of VAQ213NC | 4 |
| Exploded view | 5 |
| ASSEMBLY | 6 |
| Part list | 7 |
| PACKAGING & STORE | 7 |
| ASSISTANCE | 7 |

READ THESE INSTRUCTIONS FIRST!

These instructions provide information about safe handling and operation of the valve.

If you require additional assistance, please contact the manufacturer or manufacturer's representative.

SAVE THESE INSTRUCTIONS!

Addresses and phone numbers are printed on the back cover.

1. INTRODUCTION

Thank you for choosing Neles product. Each product is fully inspected after the production to offer you the highest quality. In order to fully utilize the product, we strongly recommend users to read this manual carefully and understood.

This manual provides information on installation; operation and maintenance procedures and related instructions for the NELES make VAQ213NC SPOOL VALVE.

The aim of this literature is to support the use of products in correct manner, and all the technical information provided in the catalogue.

The manual should be given to the end user.

The manual can be changed or revised without any prior notice. Any changes in product's specification, structure, and/or any components may not result immediate revised version of the manual.

The manual should not be duplicated or reproduced for any purpose without any consent of NELES Manufacturers & Engineers Private Limited, INDIA.

MANUFACTURER WARRANTY

For the safety, it is vital to follow instructions in the manual. It is not NELES's liability for any damages which caused by users' negligence.

It is not NELES's liability for any damages or accidents which resulted by any alteration or modification of the product and parts. If alteration or modification is necessary, please contact the NELES directly.

NELES warrants the product from the date of original retail purchase of the product for one (1) year, except as otherwise stated.

NELES warranty will not cover the products that the product have been subjected to abuse, accident, alteration, modification, tampering, negligence, misuse, faulty installation, lack of reasonable care, repair or service in any way that is not contemplated in the documentation for the product, or if the model or serial number has been altered, tampered with, defaced or removed; damages that occurs in shipment, failure due to power surge, and cosmetic damage. Improper or incorrectly performed maintenance or report voids this Limited Warranty.

For detailed warranty information, please contact:
NELES MANUFACTURERS & ENGINEERS PRIVATE LIMITED,
Manapada road, Dombivli (e), Maharashtra, India, Pin - 421204

1.1 DEFINITIONS

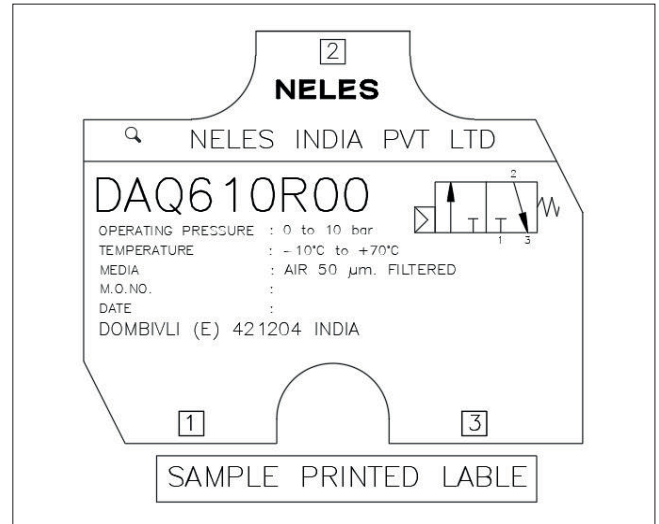
WARNING:

IF NOT OBSERVED, USER INCURS A HIGH RISK OF SEVERE DAMAGE TO PRODUCT AND/OR FATAL INJURY TO PERSONNEL.

CAUTION: If not observed, user may incur damage to product and/or injury to personnel.

NOTE: Advisory and information comments provided to assist maintenance personnel to carry out maintenance procedures.

2. LABEL DESCRIPTION



Label of the VAQ213NC-2G defines the precise feature. This description is written below the NELES logo and is as follow.

| | | |
|------------|-----|---|
| Model No.: | VAQ | SPOOL VALVE 5/2 valve |
| | 2 | 1/4" |
| | 13 | 2 Position, solenoid operated spring return |

External air pressure 3 to 10 bar.

Temperature -10°C to +70°C

S.O. NO. Sales order number.

DATE Date of manufacturing.

Dombivli – 421204 INDIA Brief address.

3. INSTALLATION PROCEDURE

CAUTION: Blow out air lines and fittings before installation. Use dry and oil free air. Do not dismantle the VAQ213NC while operation is in line. Do not allow dirty air or fluids to get into the VAQ213NC. Use filter unit (filter size 40µm, 3°C) for dust and moisture removal.

NOTE: Ensure the installation meets the legal and regulatory requirements of the country and state of use. The VAQ213NC assembly should be left in the original packing until it is required for the use.

1. Hemp filaments, jute or even teflon ribbons are normally not required, As the part connections are accurately threaded. By chance, if any of these or any other tightening medium get into the operational area inside the VAQ213NC, possible damage of the VAQ213NC could not be ruled out.
2. Clean all pipes and tube fittings thoroughly with suitable means. As even when brand new pipes are fitted, unclean interior are quite covered with dirt and dust.
3. Avoid impact on the VAQ213NC. These may happen during transportation/ erection/ mishandling.

4. TECHNICAL SPECIFICATION

| Model | VAQ213NC |
|--------------------|------------------------------|
| Operation type | Internal Pilot operated |
| Type | 3/2 single solenoid |
| Port | 1/4" BSP / 1/4" NPT |
| Operating Pressure | 2.5 to 10 kg/cm ² |

5. MAINTENANCE

NOTE: The VAQ213NC must be removed from installation prior to maintenance. All the connections/ports have to be disconnected prior to disassembly. All the mountings, accessories and spare parts used or replaced must be original from NELES.

NELES recommends "NELES M 55" grease for greasing. Apply the grease with soft brush or similar. In case of any difficulty consult NELES distributor.

1. Install, operate and maintain as per the instructions and recommendations of this manual.
2. Any deviation from the above will cease the responsibilities of NELES.

6. DISASSEMBLY

WARNING:

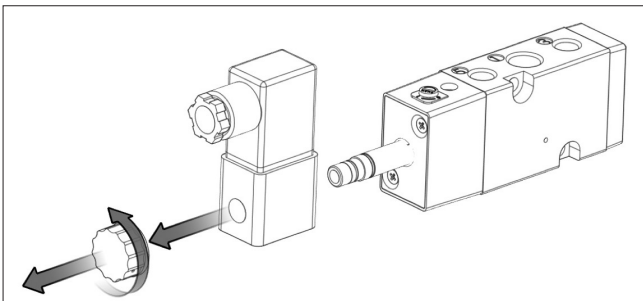
ALL ELECTRIC AND PNEUMATIC CONNECTIONS SHOULD BE REMOVED BEFORE STARTING DISASSEMBLY.

CAUTION: Do not place dismantled part on any diary/work bench but keep it on clean paper/cloth in same sequence as you have dismantled it.

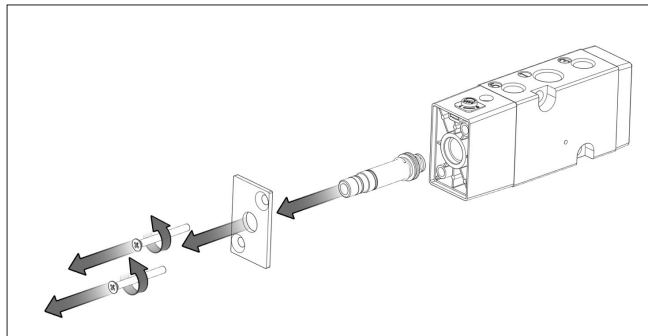
NOTE: It is advisable to replace all the rubber parts using genuine NELES spare kit. Numbers in parentheses, () indicate the bubble number (reference number) used on the NELES Assembly details and Part List.

6.1 DISASSEMBLY OF VAQ213NC

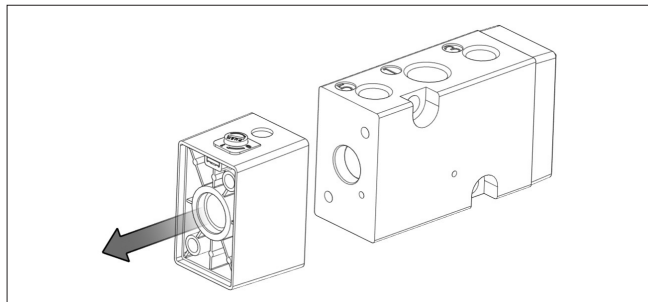
1. Remove coil nut (26), after that remove solenoid coil (24).



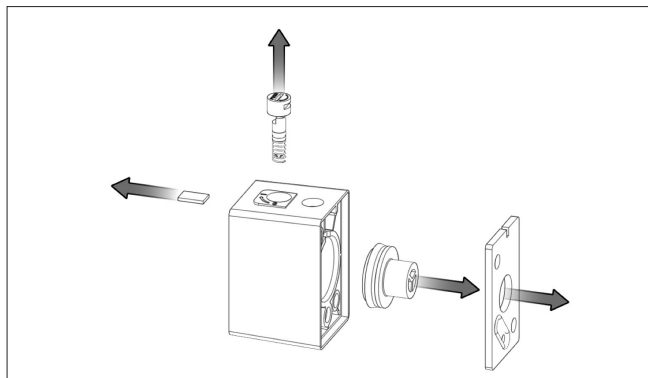
2. Remove the 2 screws (19) by loosening them from EL cover (2), Cover plate (5) and simultaneously remove guide plunger (9).



3. Since 2 screw (19) are removed hence we can separate the EL cover assembly from rest part of body.

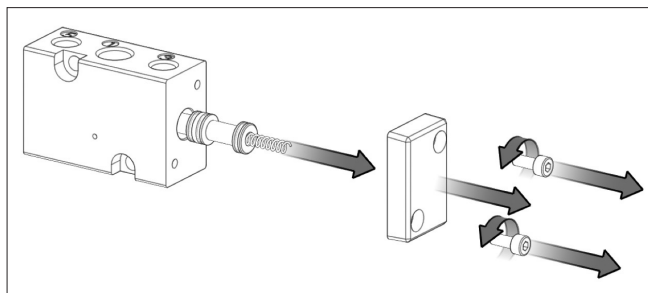


4. Take out EL cover assembly, remove MA (6), MA plate (7), O-ring (17) and MA spring (11) then remove O-ring (18), helping piston (4), lip seal (14) and pilot plate (8) too.

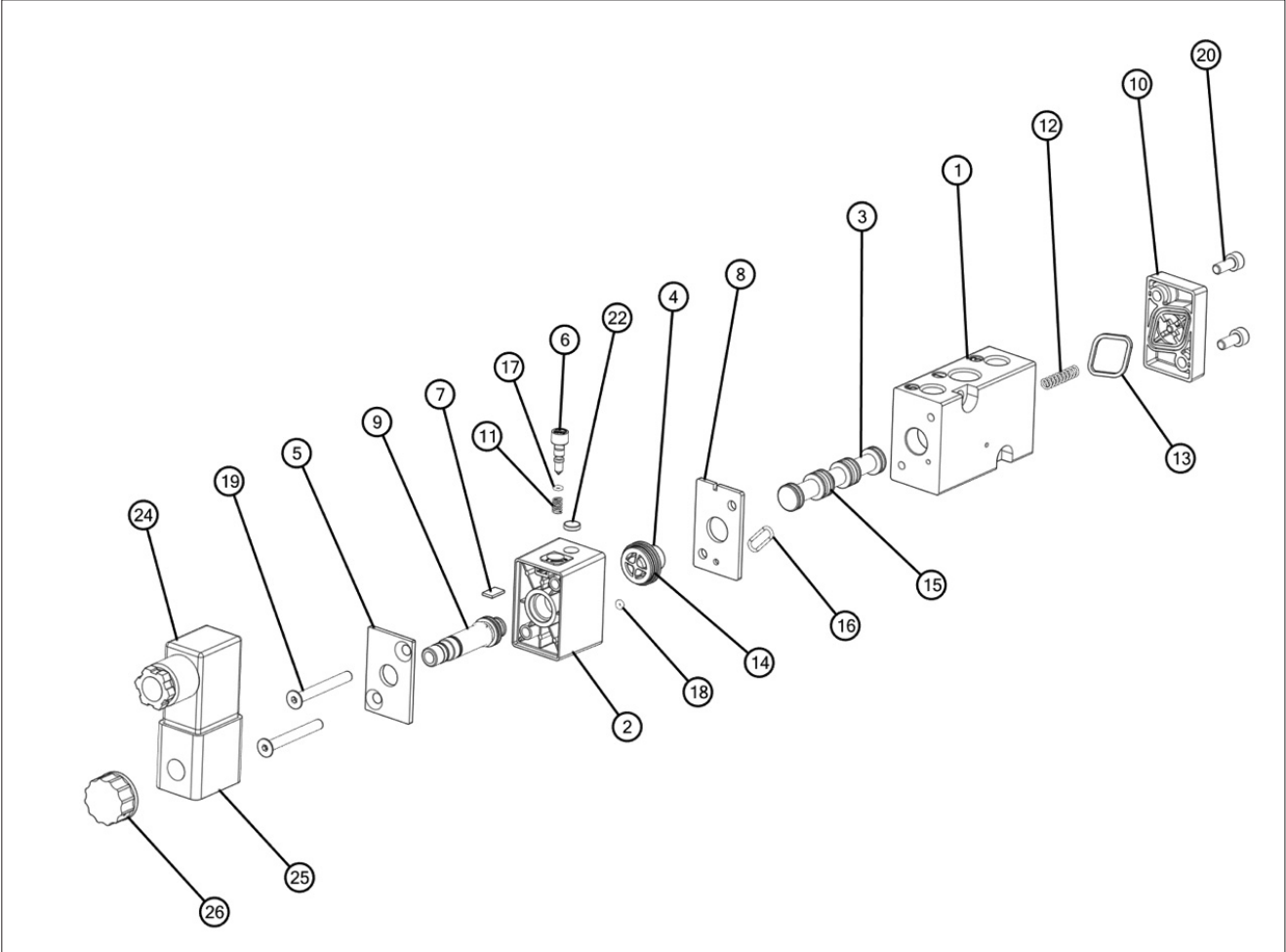


5. Separate out spring cover (10) and spring (12) by removing bolt (20), as both covers are removed, spool kit is disengaged, pull spool kit gently out of the valve body.

NOTE: remove spool kit gently with non metallic hammer, do not hammer heavily on the spool, by this spool may get jammed in bore during this operation.



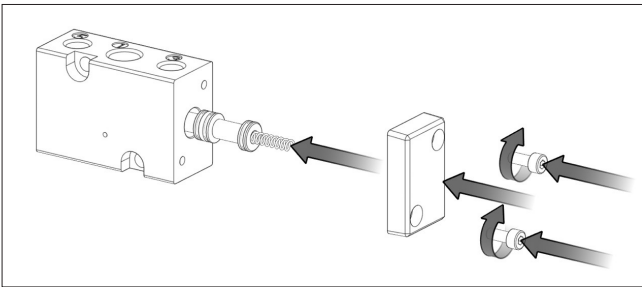
6.2 EXPLODED VIEW



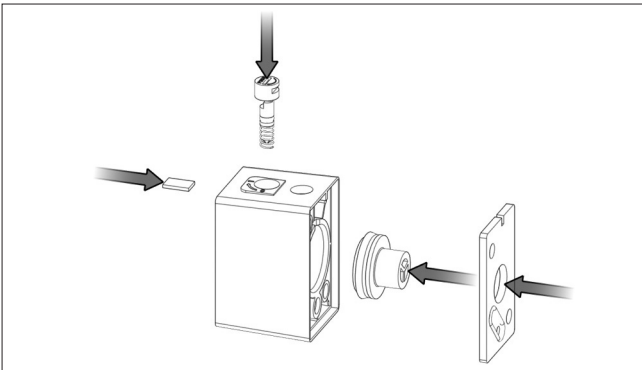
7. ASSEMBLY

NOTE: Follow the sequence as given below to ensure proper assembly.

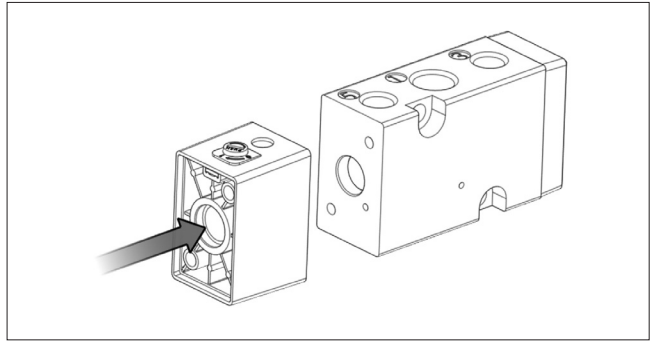
1. Clean all parts with soap water and dry.
2. Apply a layer of NELES recommended grease to the inner face of the body (1). (grease: NELES m 55).
3. Insert seal (15) on the spool (3)
4. While inserting spool into the body applies a thin layer of grease on the seal.
5. Insert the lip seal (14) on the piston (4) apply a thin layer of grease on the lip seal.
6. Insert the spool kit (3) and then spring (12) into the body (1) and screw it using bolt (20).



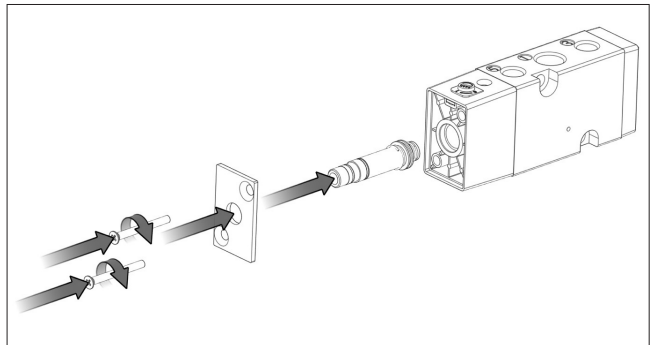
7. Separately make the assembly of EL cover, fit the MA (6) on EL cover (2) with O-ring (17) and spring (11) and fix it with MA plate (7). Place Piston (4) with lip seal (14) in EL cover (2) and pilot plate (8). Finally, fit filter (22) in given groove of EL cover (2).



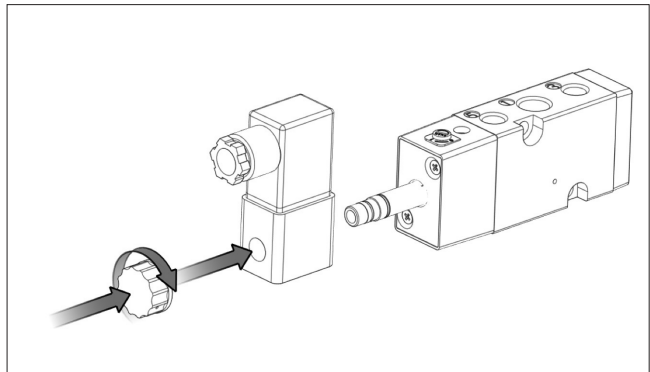
8. Place EL cover (2) in body (1).



9. Insert guide plunger (9) and cover plate (5) screw it into EL cover (2) with the help of 2 screw (19).



10. Insert solenoid coil (24) and screw it with the coil nut (26).



7.1 PART LIST

| Sr. No. | Name | Quantity |
|---------|-------------------------|----------|
| 1 | BODY | 1 |
| 2 | EL COVER | 1 |
| 3 | SPOOL | 1 |
| 4 | HELPING PISTON | 1 |
| 5 | COVER PLATE | 1 |
| 6 | MA | 1 |
| 7 | LOCKING PLATE FOR MA | 1 |
| 8 | PILOT PLATE | 1 |
| 9 | GUIDE PLUNGER | 1 |
| 10 | SPRING COVER | 1 |
| 11 | SPRING FOR MA | 1 |
| 12 | SPRING | 1 |
| 13 | COVER SEAL | 1 |
| 14 | PISTON LIP SEAL | 1 |
| 15 | SEAL | 6 |
| 16 | ORING 10.00 x 1.00 | 1 |
| 17 | ORING 2 x 1.25 | 1 |
| 18 | ORING 1.80 x 1.40 | 1 |
| 19 | DIN 7991 - M4 x 33 - 33 | 2 |
| 20 | DIN 912 M4 x 10 -10 | 2 |
| 21 | BALL DIA 2 IS 2898 | 3 |
| 22 | FILTER | 1 |
| 23 | DUST CAP FOR 1/4" | 1 |
| 24 | COIL 24VAC WHETHERPROOF | 1 |
| 25 | SOCKET FOR COIL | 1 |
| 26 | COIL NUT FOR ZERO SIZE | 1 |
| 27 | MUFFLER 1/8" BSP | 2 |
| 28 | MOUNTING KIT | 1 |

8. PACKAGING & STORE

1. When not in use, VAQ213NC ASSEMBLY should be kept in a sealed plastic bag in a cardboard box to prevent moisture or dust from contacting product.
2. VAQ213NC should be stored in a dry place free from water and dust.
3. Store at temperature between 40°F and 120°F (4°C and 49°C).
4. Locate in an area to avoid damage by impact.

9. ASSISTANCE

For technical questions or assistance, contact any authorized distributor of Neles India Private limited or:

Neles

Vanha Porvoontie 229, 01380 Vantaa, Finland.
Tel. +358 10 417 5000.

neles.com

IMO-332 EN - 8/2020