

Easyflow by Neles™ High capacity solenoid valves, series DAQ and VAQ

3/2 way solenoid valve

Model no. DAQ213 / DAQ313 / DAQ413



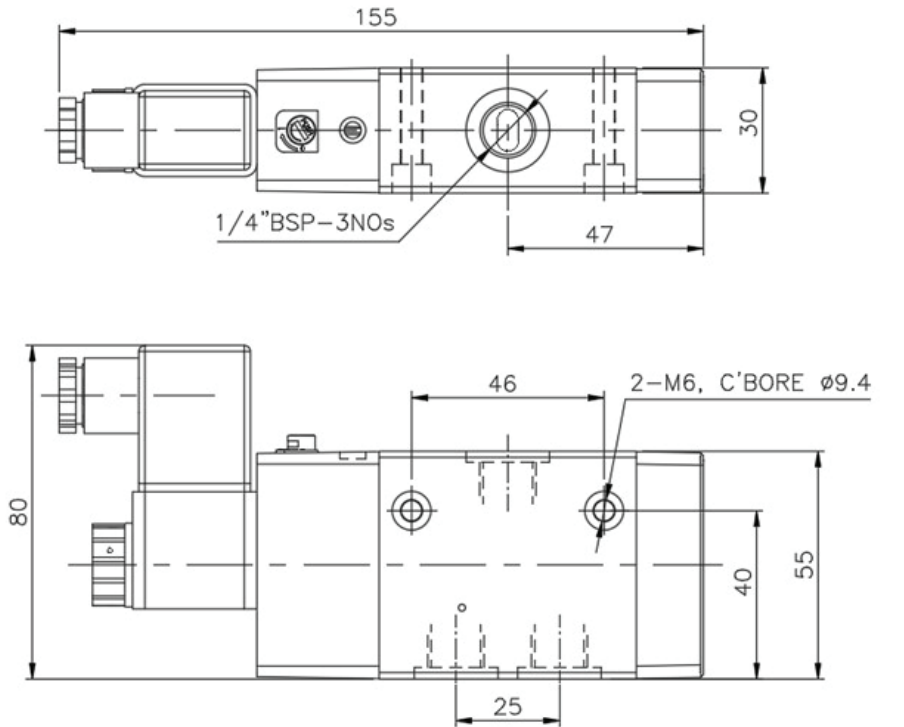
Features

- Mounts in any position
- High flow solenoid valves
- Helping piston improves valves performance & reliability
- Solenoid capable of turning 360°
- Solenoid continuous duty rated
- Noiseless performance
- Available in BSP & NPT port thread type
- Spring & air return ensures healthy valve operation in case of spring failure also

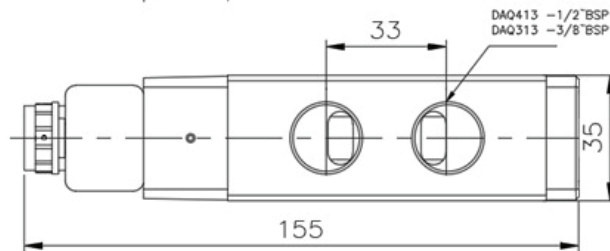
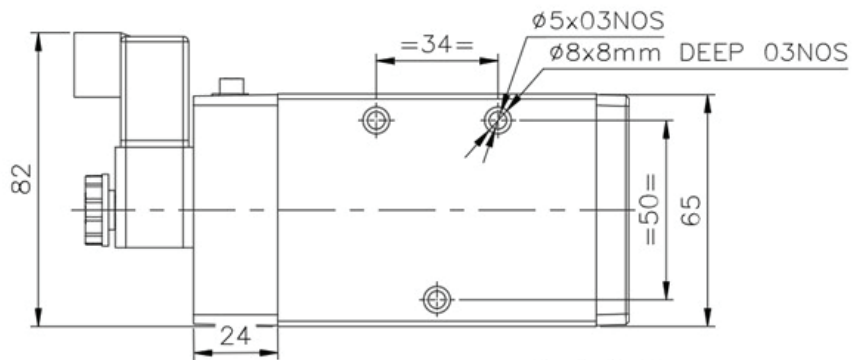
Technical specification

Model	DAQ213	DAQ313	DAQ413
Type	3/2 way spool design, single coil, spring & air return direction control valve		
Media	Compressed air, 25 µm. Filtered, lubricated or unlubricated		
Mounting	Through holes in housing, also suitable for mounting on manifold		
Orifice (mm)	6.7	10	10
Flow factor (kv) (L/min)	15	38	38
Port size	1/4"	3/8"	1/2"
Operating range 3-10 bar	2-10		
Temperature range (°C)	-10 to 70		
Response time at 5 bar	On time 28 ms, Off time 36 ms	On time 32 ms, Off time 48 ms	
Manual override type	Push type & rotate to lock		
Operating voltage	AC (50 Hz) - 110, 220	DC - 12, 24, 48	
Duty cycle	Continuous		
Coil insulation class	F		
Valve body MOC	Aluminium		
Seals MOC	NBR		

Dimensional Drawings



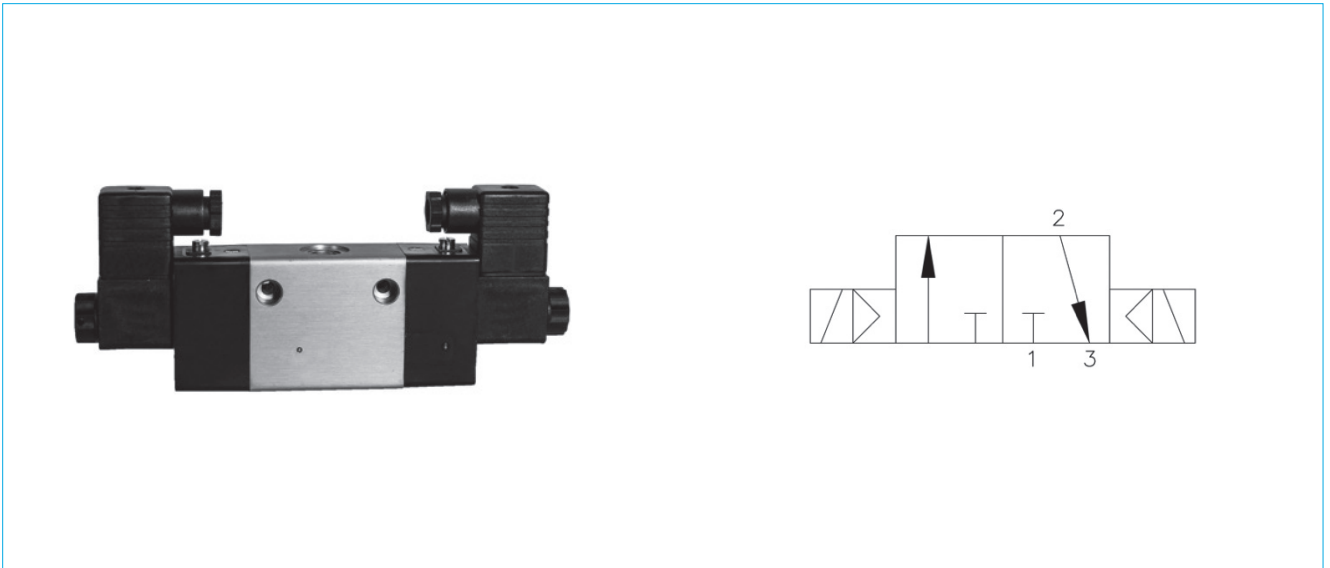
DAQ213



DAQ313 and DAQ413

3/2 WAY SOLENOID VALVE

Model no. DAQ214 / DAQ314 / DAQ414



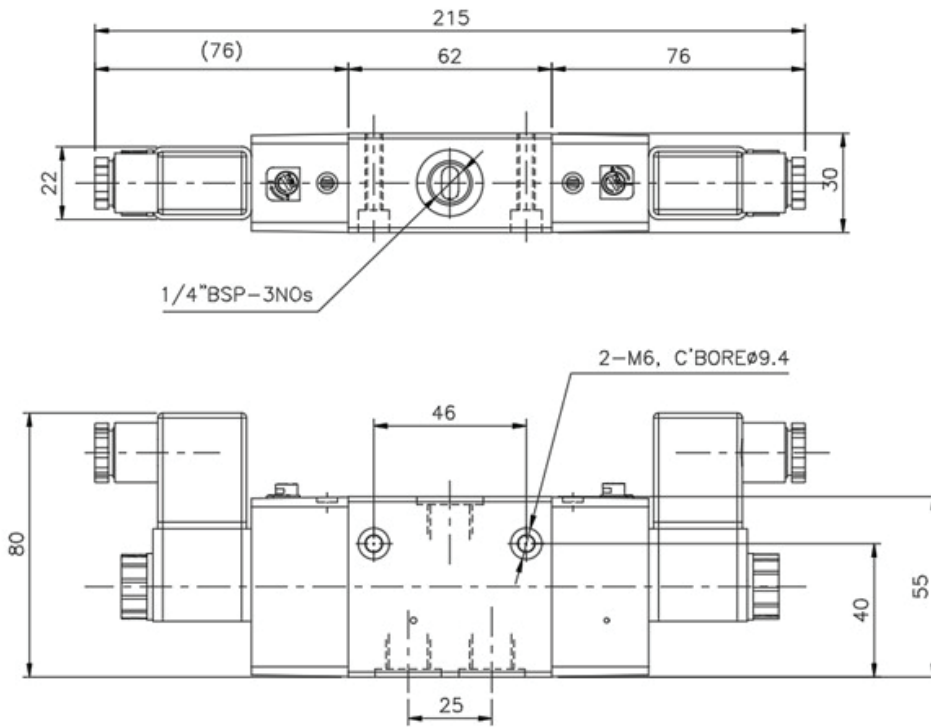
Features

- Mounts in any position
- High flow solenoid valves.
- Helping piston improves valves performance & reliability
- Solenoid capable of turning 360°
- Solenoid continuous duty rated
- Noiseless performance
- Available in BSP & NPT port thread type

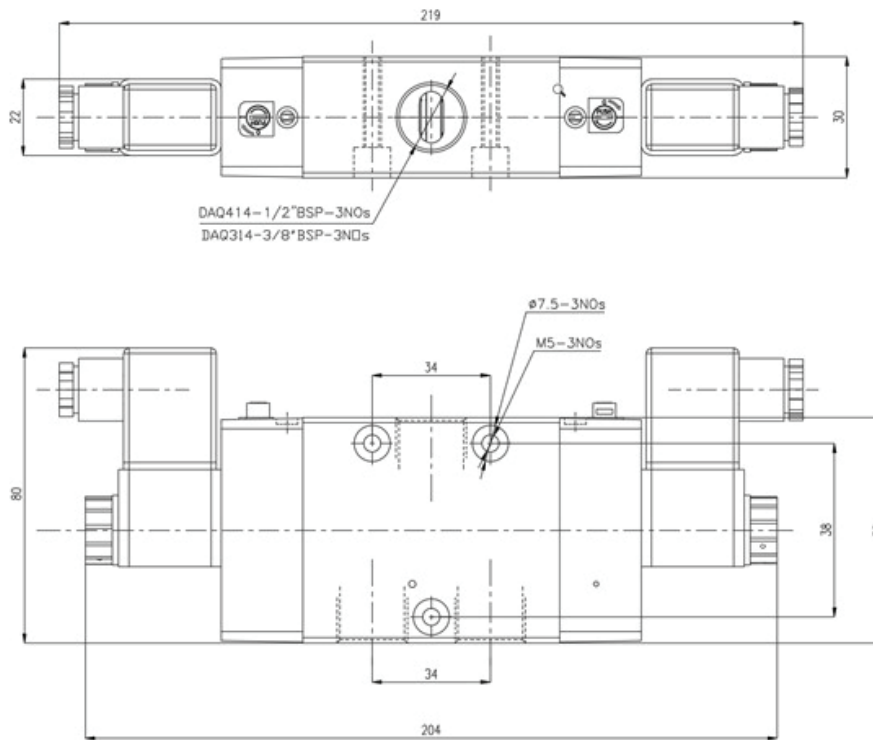
Technical specification

Model	DAQ214	DAQ314	DAQ414
Type	3/2 way spool design, double coil, direction control valve		
Media	Compressed air, 25 µm. Filtered, lubricated or unlubricated		
Mounting	Through holes in housing, also suitable for mounting on manifold		
Orifice (mm)	6.7	10	10
Flow factor (kv)	15	38	38
Port size	1/4"	3/8"	1/2"
Operating range 3-10 bar	2-10		
Temperature range (°C)	-10 to 70		
Response time at 5 bar	On time 28 ms, Off time 36 ms	On time 32 ms, Off time 48 ms	
Manual override type	Push type & rotate to lock		
Operating voltage	AC (50 Hz) – 110, 220	DC – 12, 24, 48	
Duty cycle	Continuous		
Coil insulation class	F		
Valve body MOC	Aluminium		
Seals MOC	NBR		

Dimensional Drawings



DAQ214



DAQ314 and DAQ414

5/2 WAY SOLENOID VALVE

Model no. VAQ213 / VAQ313 / VAQ413



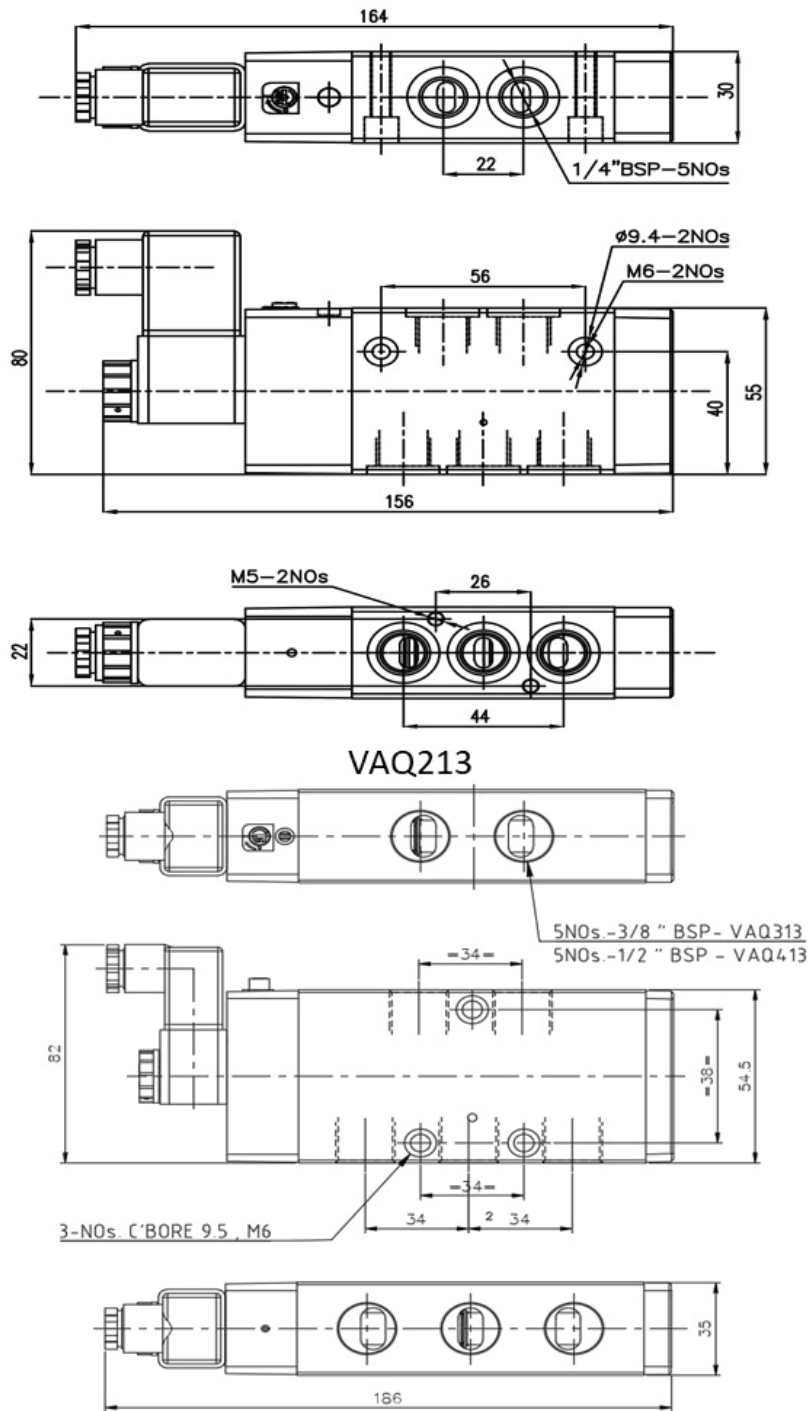
Features

- Mounts in any position
- High flow solenoid valves
- Helping piston improves valves performance & reliability
- Solenoid capable of turning 360°
- Solenoid continuous duty rated
- Noiseless performance
- Available in BSP & NPT port thread type
- Spring & air return ensures healthy valve operation in case of spring failure also

Technical specification

Model	VAQ213	VAQ313	VAQ413
Type	5/2 way spool design, double coil, direction control valve		
Media	Compressed air, 25 µm. Filtered, lubricated or unlubricated		
Mounting	Through holes in housing, also suitable for mounting on manifold		
Orifice (mm)	6.7	10	10
Flow factor (kv)	15	38	38
Port size	1/4"	3/8"	1/2"
Operating range 3-10 bar	2-10		
Temperature range (°C)	-10 to 70		
Response time at 5 bar	On time 28 ms, Off time 36 ms	On time 32 ms, Off time 48 ms	
Manual override type	Push type & rotate to lock		
Operating voltage	AC (50 Hz) – 110, 220	DC – 12, 24, 48	
Duty cycle	Continuous		
Coil insulation class	F		
Valve body MOC	Aluminium		
Seals MOC	NBR		

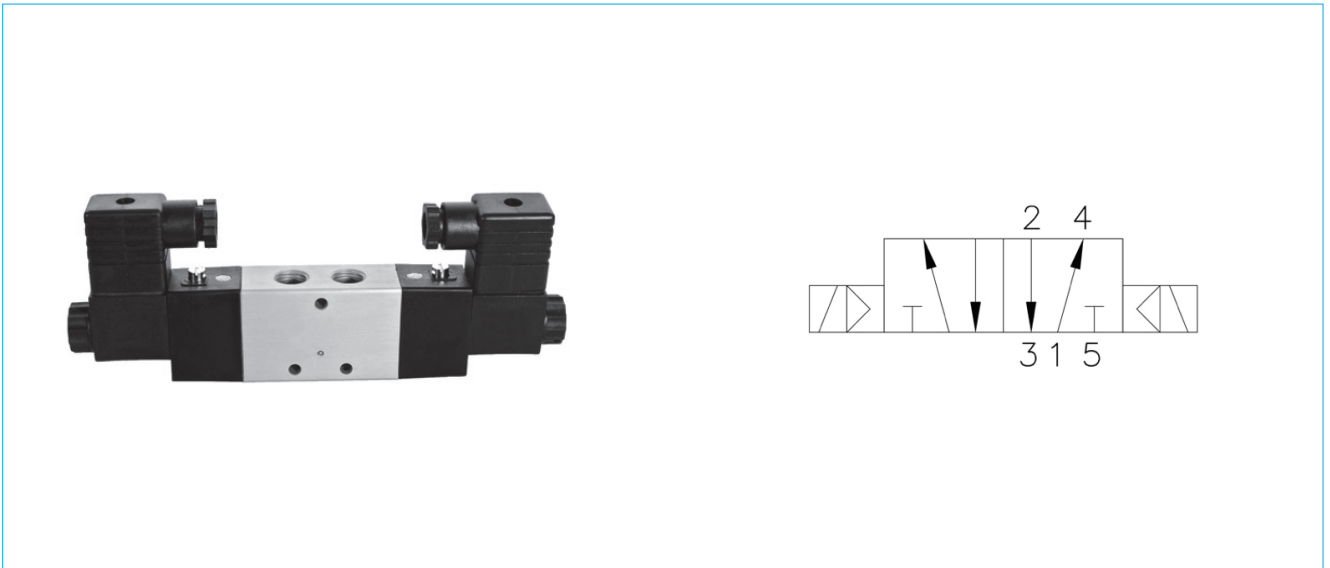
Dimensional Drawings



VAQ313 and VAQ413

5/2 WAY SOLENOID VALVE

Model no. VAQ214 / VAQ314 / VAQ414



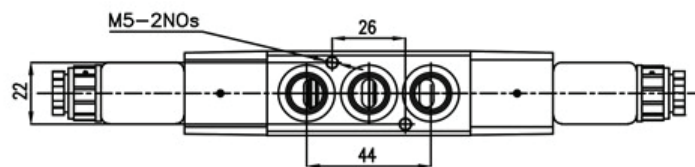
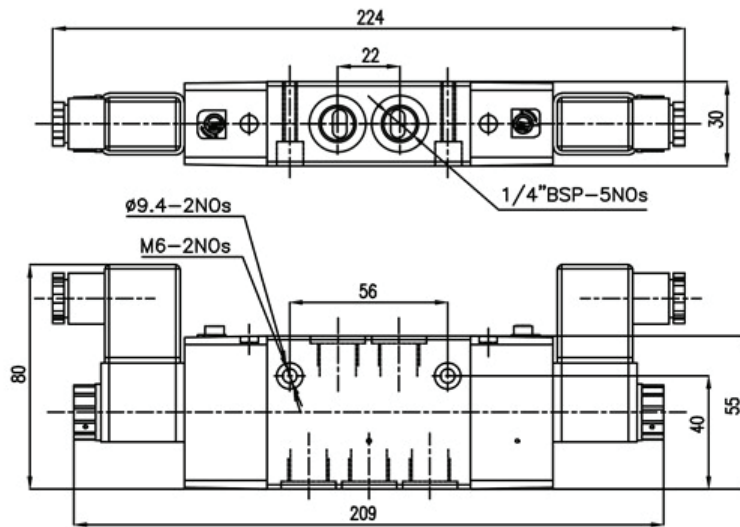
Features

- Mounts in any position
- High flow solenoid valves.
- Helping piston improves valves performance & reliability.
- Solenoid capable of turning 360°
- Solenoid continuous duty rated
- Noiseless performance
- Available in BSP & NPT port thread type

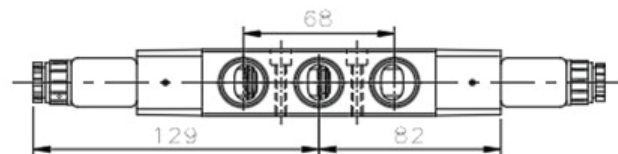
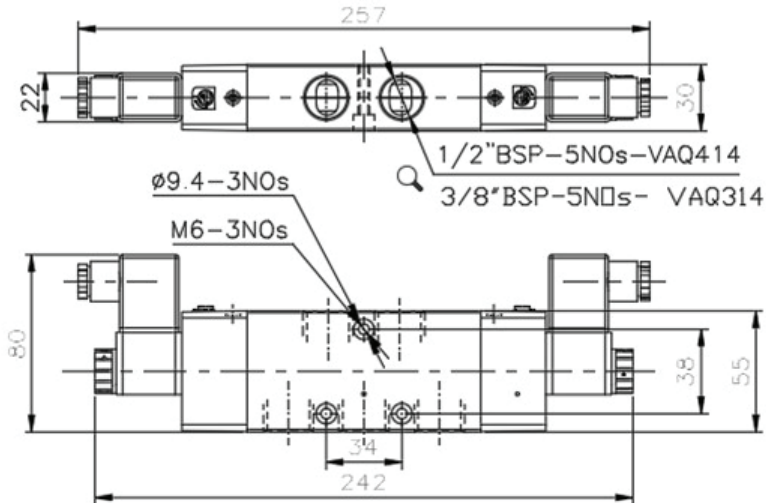
Technical specification

Model	VAQ214	VAQ314	VAQ414
Type	5/2 way spool design, single coil, spring & air return direction control valve		
Media	Compressed air, 25 µm. Filtered, lubricated or unlubricated		
Mounting	Through holes in housing, also suitable for mounting on manifold		
Orifice (mm)	6.7	10	10
Flow factor (kv)	15	38	38
Port size	1/4"	3/8"	1/2"
Operating range 3-10 bar	2-10		
Temperature range (°C)	-10 to 70		
Response time at 5 bar	On time 28 ms, Off time 36 ms	On time 32 ms, Off time 48 ms	
Manual override type	Push type & rotate to lock		
Operating voltage	AC (50 Hz) – 110, 220	DC – 12, 24, 48	
Duty cycle	Continuous		
Coil insulation class	F		
Valve body MOC	Aluminium		
Seals MOC	NBR		

Dimensional Drawings



VAQ214



VAQ314 and VAQ414

HOW TO ORDER

1.	2.	3.	4.	5.	6.	7.
DAQ	2	13	G	0	0	01D0

1.	Valve type
DAQ	3/2 way
VAQ	5/2 way

2.	Port size
2	1/4"
3	3/8"
4	1/2"

3.	Operator
13	Single coil solenoid valve
14	Double coil solenoid valve

4.	Port thread type
G	BSP
R	NPT

5.	Body material
0	Aluminium
1	SS316

6.	Seal material
0	NBR
1	VITON

7.	Coil voltage
01D0	12VDC
02D0	24VDC
03D0	48VDC
04D0	110VDC
05D0	220VDC
01A0	24VAC
02A0	48VAC
03A0	110VAC
04A0	220VAC
11AL	110VAC-LED
12AL	220VAC-LED
13AL	24VAC-LED
11DL	24VAC-LED

ORDERING EXAMPLE:

1. DAQ-2-13-G-0-0-01D0. This is a 3/2 position single coil solenoid valve with port size of 1/4" BSP connection with Aluminium body having NBR seal and coil voltage of 12VDC.
2. VAQ-2-13-G-0-0-01A0. This is a 5/2 position single coil solenoid valve with port size of 1/4" BSP connection with Aluminium body having NBR seal and coil voltage of 12VDC.

Neles

Vanha Porvoontie 229, 01380 Vantaa, Finland.
Tel. +358 10 417 5000.

neles.com

S 150-1EN - 7/2020

Subject to change without prior notice. Neles, Jamesbury and Easyflow by Neles, and certain other trademarks, are either registered trademarks or trademarks of Neles Corporation or its subsidiaries or affiliates in the United States and/or in other countries. For more information www.neles.com/trademarks

Reinventing
reliability