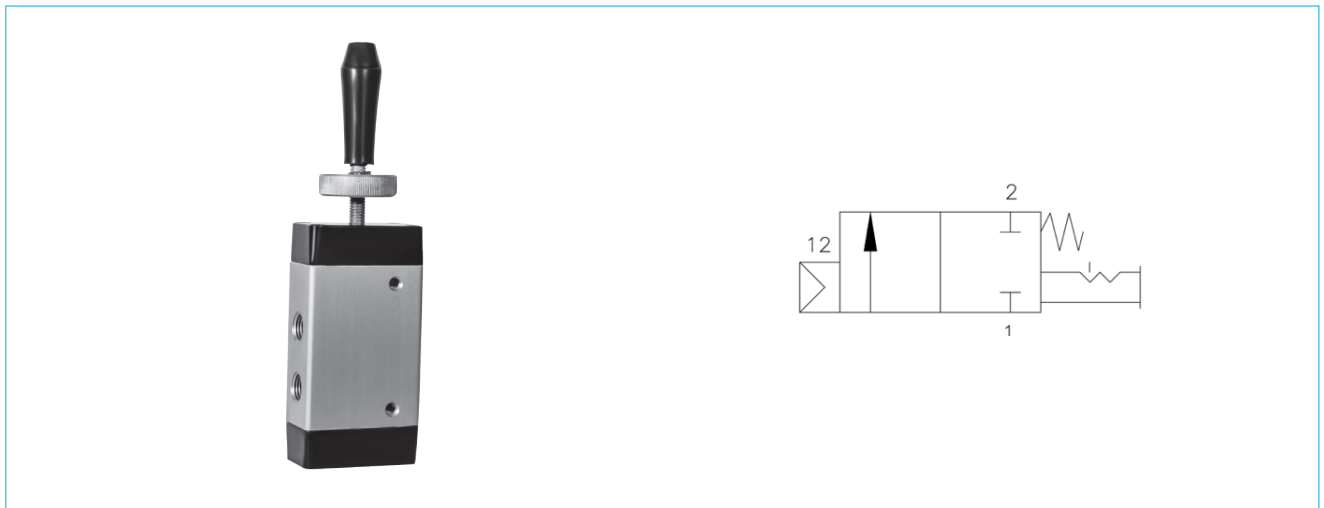


Easyflow by Neles™ Pneumatic Lock Relays, Series ALRQ 2/2 Way Air Operated Valve With Manual Override Model no. ALRQ-3



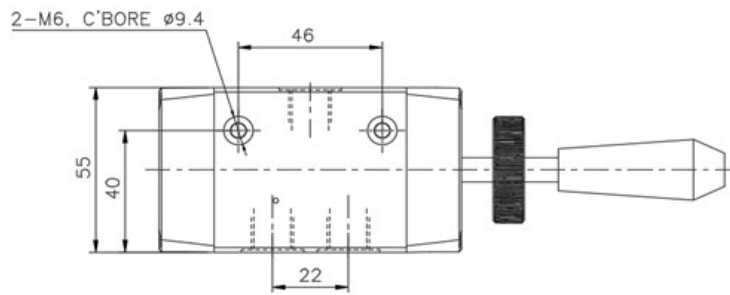
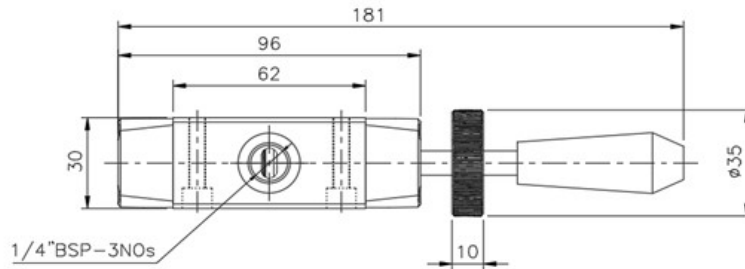
Features

- Lock in place function in case air supply failure
- Trip pressure 2,5 bar (not adjustable, factory set)
- Manual override for actuator pneumatic lock out
- 4 way versions available where downstream side ports blocked
- Compact size

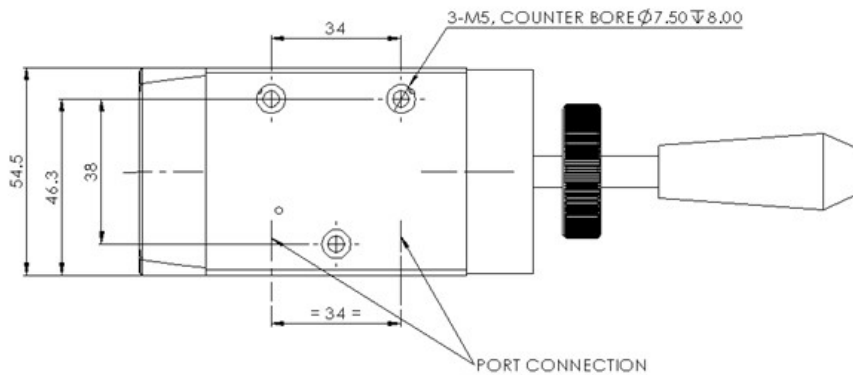
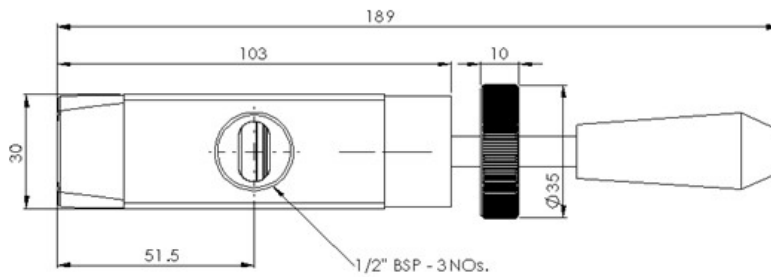
Technical specification

Model	ALRQ-3-2	ALRQ-3-4
Type	3/2 way spool design air lock relay	
Media	Compressed air, 25 µm. Filtered, lubricated or unlubricated	
Mounting	Through holes in housing, also suitable for mounting on manifold	
Operating pressure range	0-10 bar	
Pilot pressure	2-10 bar	
Temperature range (°C)	-10 to 70	
Valve body MOC	Aluminium / Brass / SS 316/SS 304	
Seals MOC	NBR	

Dimensional Drawings with symbol



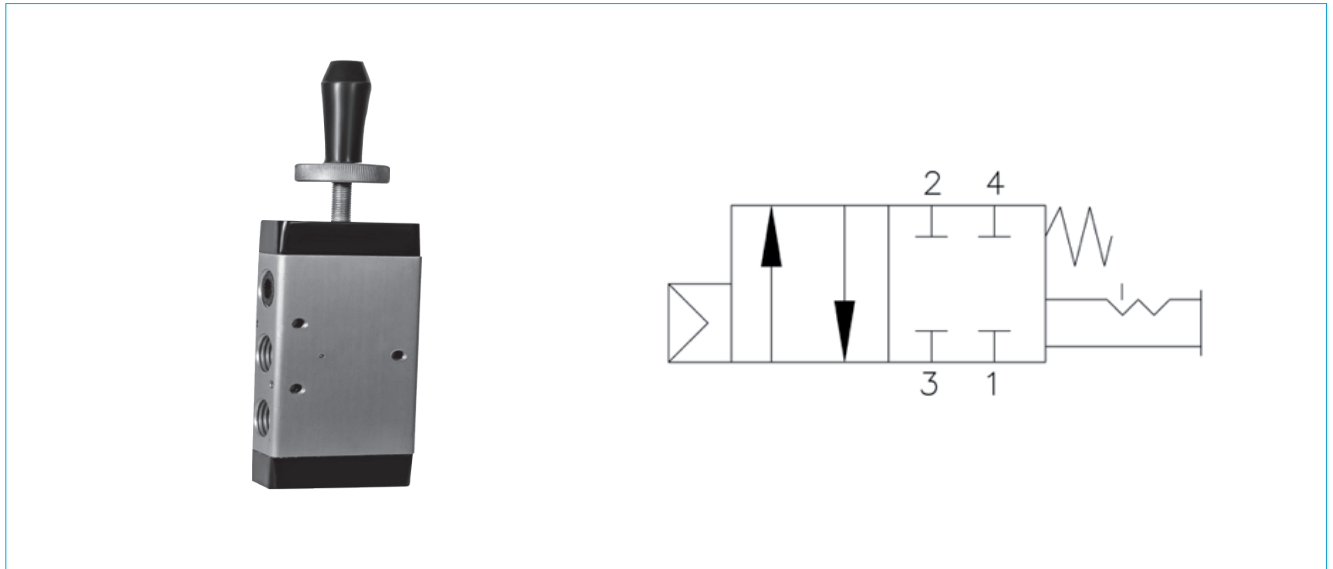
ALRQ3-2



ALRQ3-4

5/2 WAY AIR OPERATED VALVE WITH MANUAL OVERRIDE

Model no. ALRQ-5



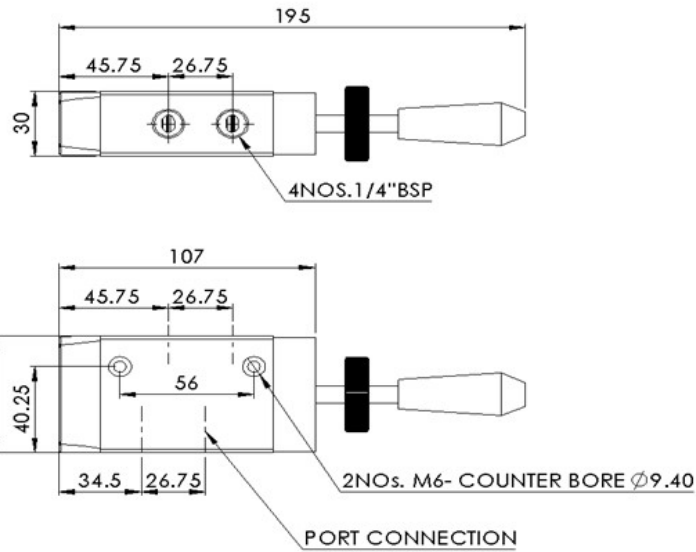
Features

- Lock in place function in case air supply failure
- Trip pressure 2,5 bar (not adjustable, factory set)
- Manual override for actuator pneumatic lock out
- 3 and 4 way versions available where downstream side ports blocked
- Compact size

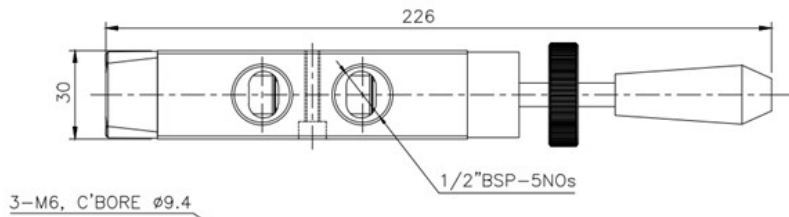
Technical specification

Model	ALRQ-5-2	ALRQ-5-4
Type	5/2 way spool design air lock relay	
Media	Compressed air, 25 µm. Filtered, lubricated or unlubricated	
Mounting	Through holes in housing, also suitable for mounting on manifold	
Operating pressure range	0-10 bar	
Pilot pressure	2-10 bar	
Temperature range (°C)	-10 to 70	
Valve body MOC	Aluminium / Brass / SS 316/SS 304	
Seals MOC	NBR	

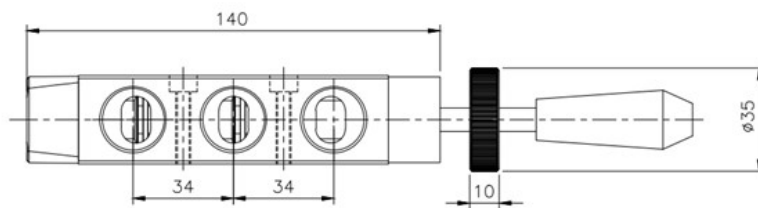
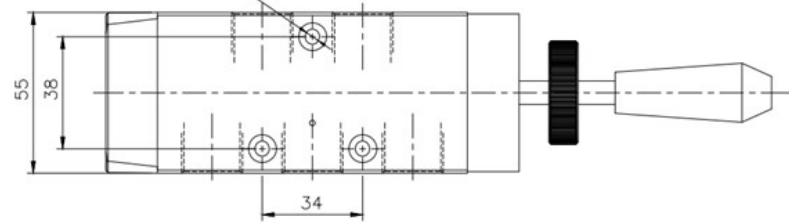
Dimensional Drawings with symbol



ALRQ5-2



3-M6, C'BORE $\varnothing 9.4$



ALRQ5-4

HOW TO ORDER

1	2	3	4	5	6
ALRQ	3	2	G	0	0

1	Principle
ALRQ	Pneumatics lock relays

2	Action
3	3/2 way
5	5/2 way

3	Port size
2	1/4"
3	3/8"
4	1/2"

4	Port thread type
G	BSP
R	NPT

5	Body material
0	Aluminium
1	SS316

6	Seal Material
0	NBR
1	VITON

ORDERING EXAMPLE:

1. ALRQ-3-2-G-0-0. This is a 3/2 position Pneumatics lock relay valve with port size of 1/4" BSP Aluminium body along with NBR as a seal material.

Neles

Vanha Porvoontie 229, 01380 Vantaa, Finland.
Tel. +358 10 417 5000.

neles.com

S150-3EN - 7/2020