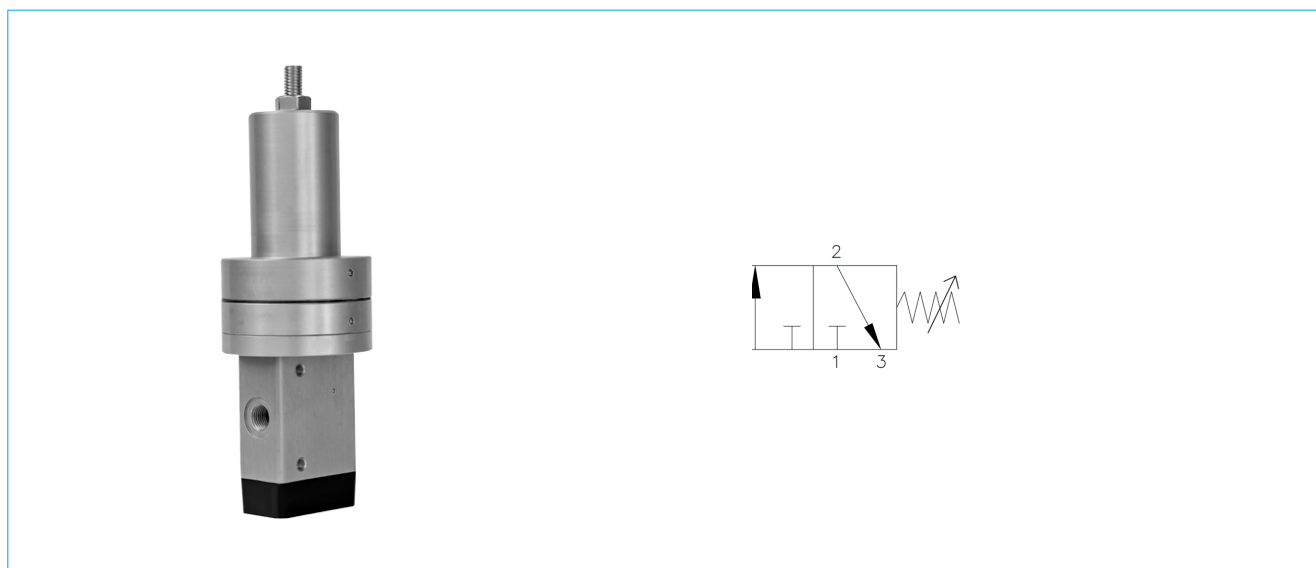


## Easyflow by Neles™ Pneumatic Pressure Switches, Series SENALRQ

### 3/2 Way Pressure Switch

### Model no. SENALRQ-3



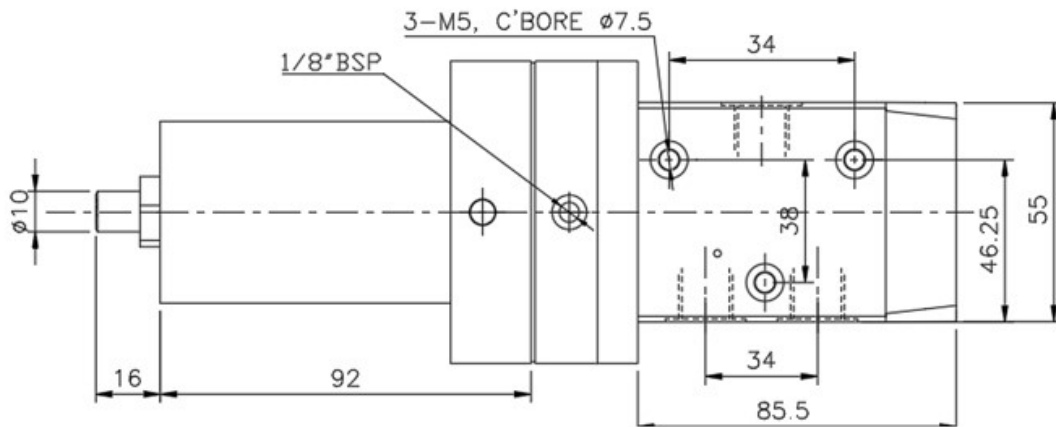
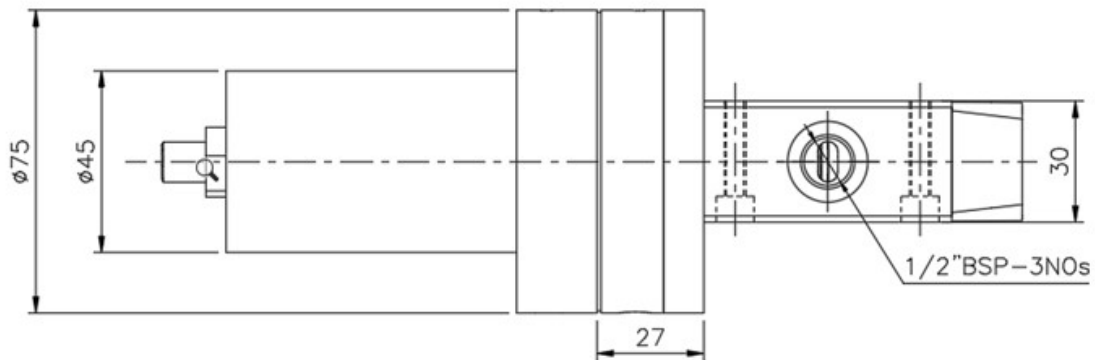
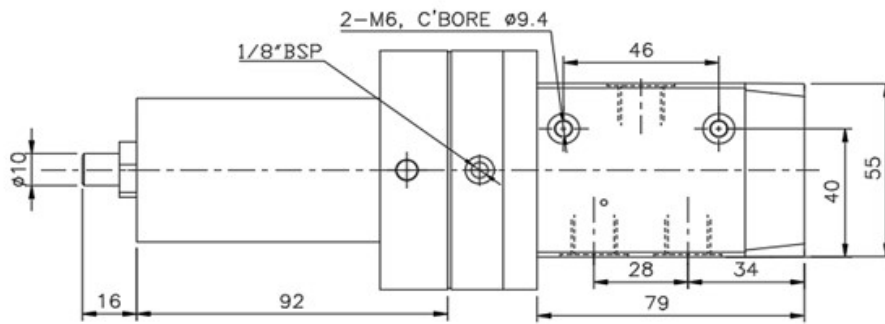
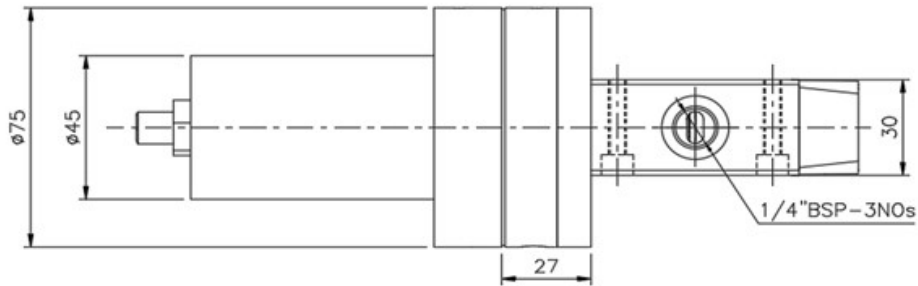
#### Features

- For control valve application.
- Sensitivity 0.5 bar to cutoff only.
- Most suited for critical applications.
- No external bleed.
- Adjustable from 3 to 10 bar.
- 3-way & 4-way versions available where all ports are blocked.
- Super compact in size.
- Dual diaphragms for high sensitivity.
- Application most suited to perform emergency shut down on pressure fluctuation within 0.5 bar.

#### Technical specification

Model	SENALRQ-3-2	SENALRQ-3-4
Type	3/2 way spool design sensitive air lock relay	
Media	Compressed air, 25 µm. Filtered, lubricated or unlubricated	
Mounting	Through holes in housing, also suitable for mounting on manifold	
Operating pressure range	0-10 bar	
Pilot pressure	2-10 bar	
Temperature range (°C)	-10 to 70	
Valve body MOC	Aluminium / Brass / SS 316/SS 304	
Seals MOC	NBR	

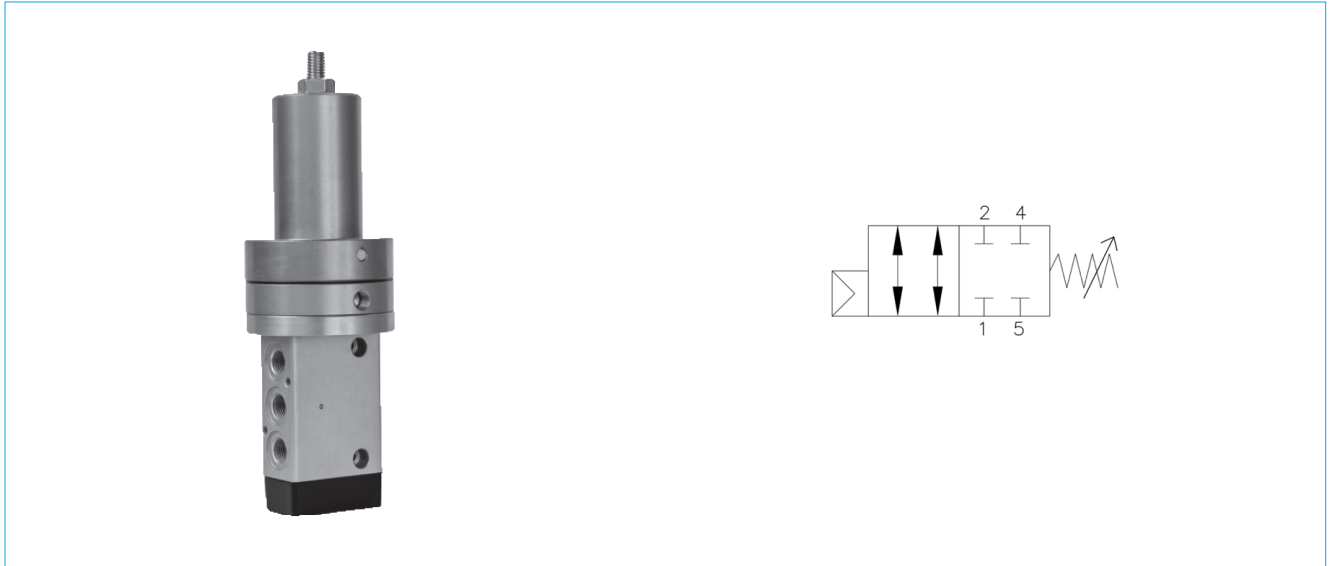
## Dimensional Drawings



SENALRQ3-4

## 5/2 WAY PRESSURE SWITCH

Model no. SENALRQ-5



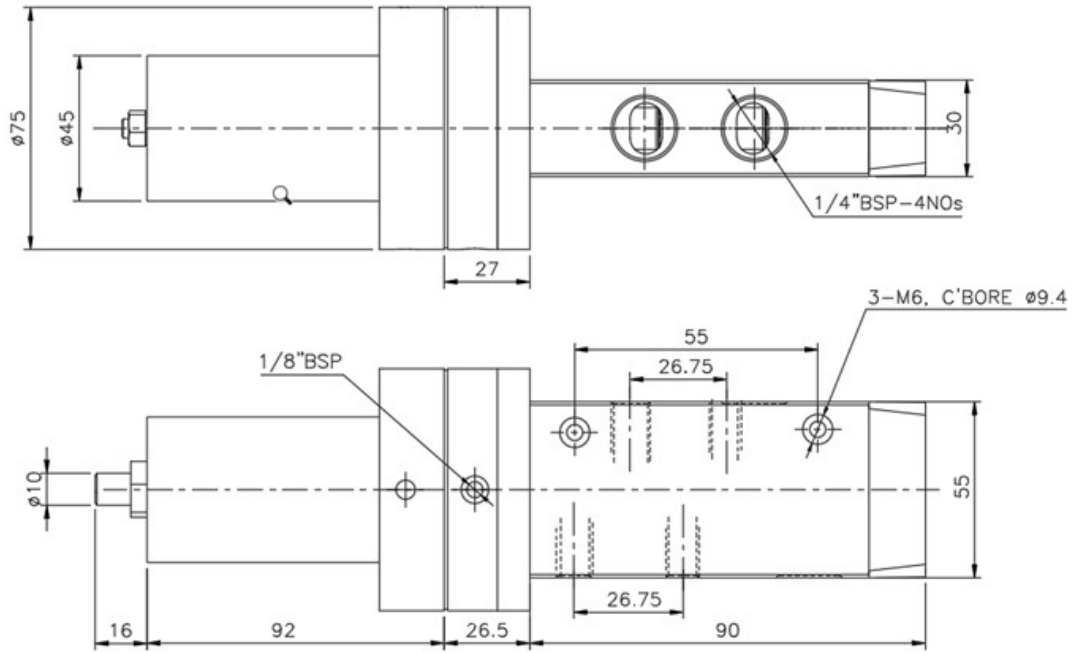
### Features

- For control valve application.
- Sensitivity 0.5 bar to cutoff only.
- Most suited for critical applications.
- No external bleed.
- Adjustable from 3 to 10 bar.
- 3-way & 4-way versions available where all ports are blocked.
- Super compact in size.
- Dual diaphragms for high sensitivity.
- Application most suited to perform emergency shut down on pressure fluctuation within 0.5 bar.

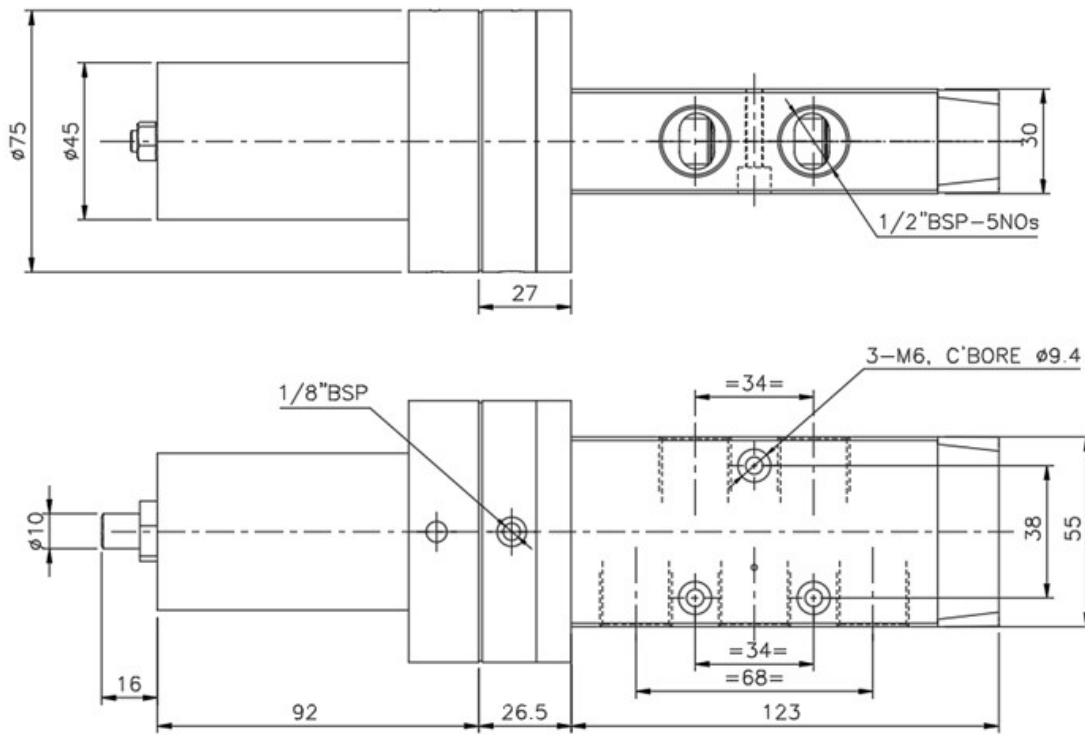
### Technical specification

Model	SENALRQ-5-2	SENALRQ-5-4
Type	5/2 way spool design sensitive air lock relay	
Media	Compressed air, 25 µm. Filtered, lubricated or unlubricated	
Mounting	Through holes in housing, also suitable for mounting on manifold	
Operating pressure range	0-10 bar	
Pilot pressure	2-10 bar	
Temperature range (°C)	-10 to 70	
Valve body MOC	Aluminium / Brass / SS 316/SS 304	
Seals MOC	NBR	

## Dimensional Drawings



SENALRQ5-2



SENALRQ5-4

## HOW TO ORDER

1	2	3	4	5	6
SENALRQ	3	2	G	0	0

1.	Principle
SENALRQ	Sensitive Pneumatics lock relays

2.	Action
3	3/2 way
5	5/2 way

3.	Port size
2	1/4"
3	3/8"
4	1/2"

4.	Seal material
G	BSP
R	NPT

5.	Body material
0	Aluminium
1	SS316

6.	Port thread type
0	NBR
1	VITON

### ORDERING EXAMPLE:

1. SENALRQ-3-2-G-0-0. This is a 3/2 position Pneumatics lock relay valve with port size of 1/4" BSP Aluminium body along with NBR as a seal material.

# Neles

Vanha Porvoontie 229, 01380 Vantaa, Finland.  
Tel. +358 10 417 5000.

**neles.com**

S150-4EN - 7/2020