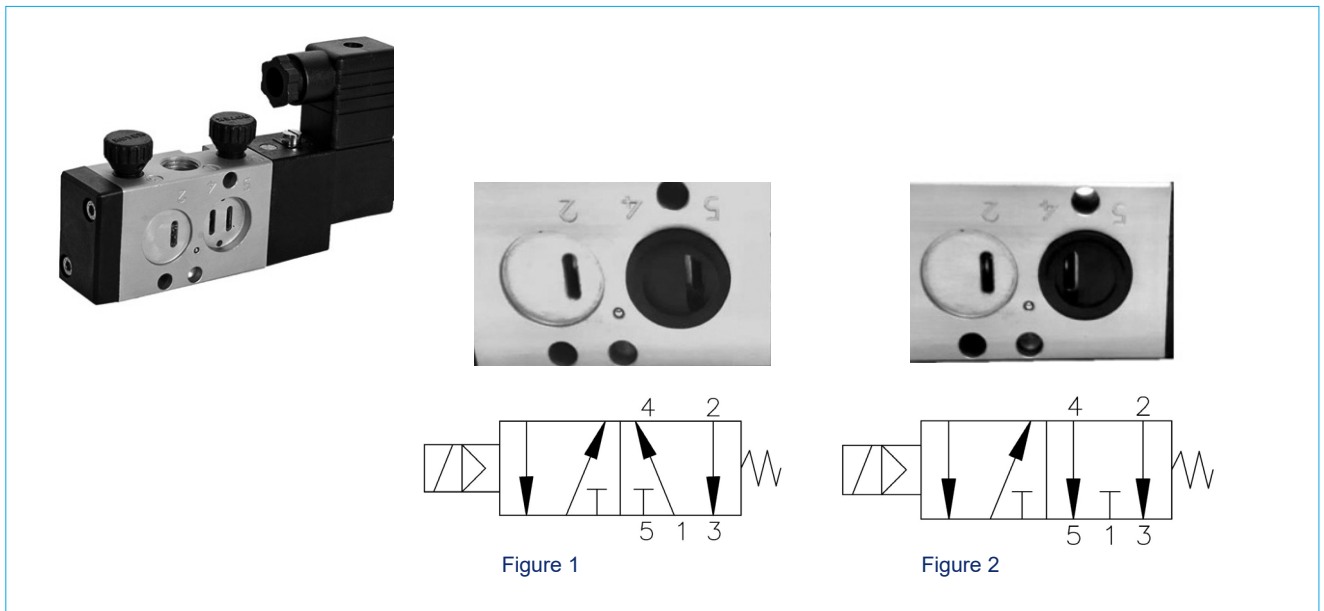


Easyflow By Neles™ Namur solenoid valves, series VAQNC

5/2 and 3/2 way convertible solenoid
operated direction control spool valve

Model No. VAQNC-113/213



Features

- Manual override with lock facility
- IP67 solenoid, Ex version on request
- Corrosion resistant anodized aluminium
- All voltage rating available
- Long lasting PTFE seals
- Cover can be turned 180°C to change position of the manual override

Technical specification

Media	Compressed air, 50 µm. Filtered, lubricated or unlubricated
Type	5/2 and 3/2 way convertible solenoid operated direction control spool valve
Mounting	NAMUR
Orifice	5,3 mm
Flow factor (kv)	18 liters/min
Flow rate (Qn)	800 liters/min
Port size	1/8" and 1/4"
Operating pressure range	2-10 bar
Temperature range (°C)	-20 to 80
Response time at 5 bar	on time 32 msec and off time 48 msec
Manual override type	Push type & rotate to lock
Operating voltage	AC : 110, 220 (50Hz)
DC : 12, 24, 48	Continuous
Duty cycle	Continuous
Coil insulation class	F
Valve body MOC	Aluminium
Seals MOC	NBR

Dimensional Drawings

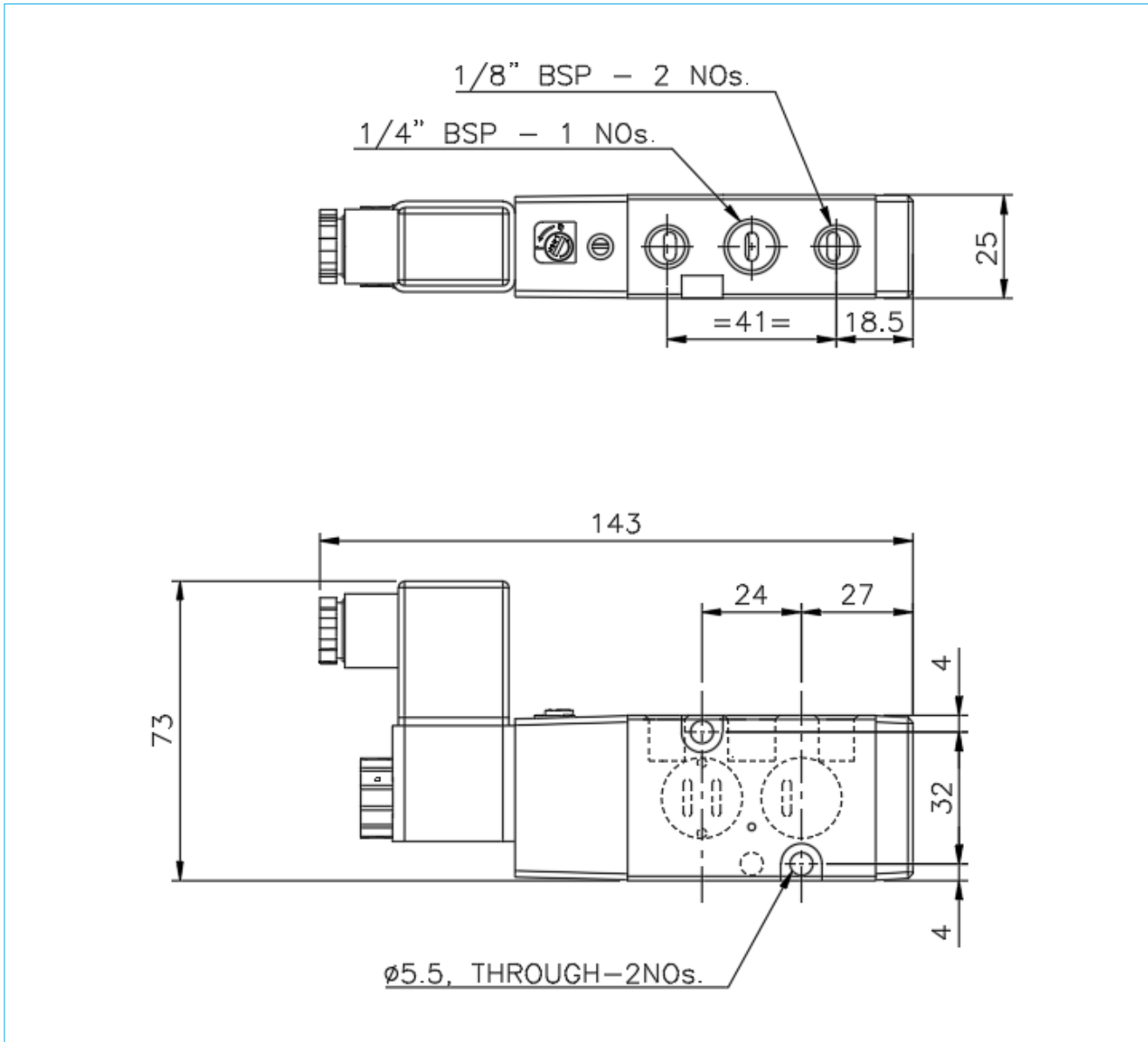
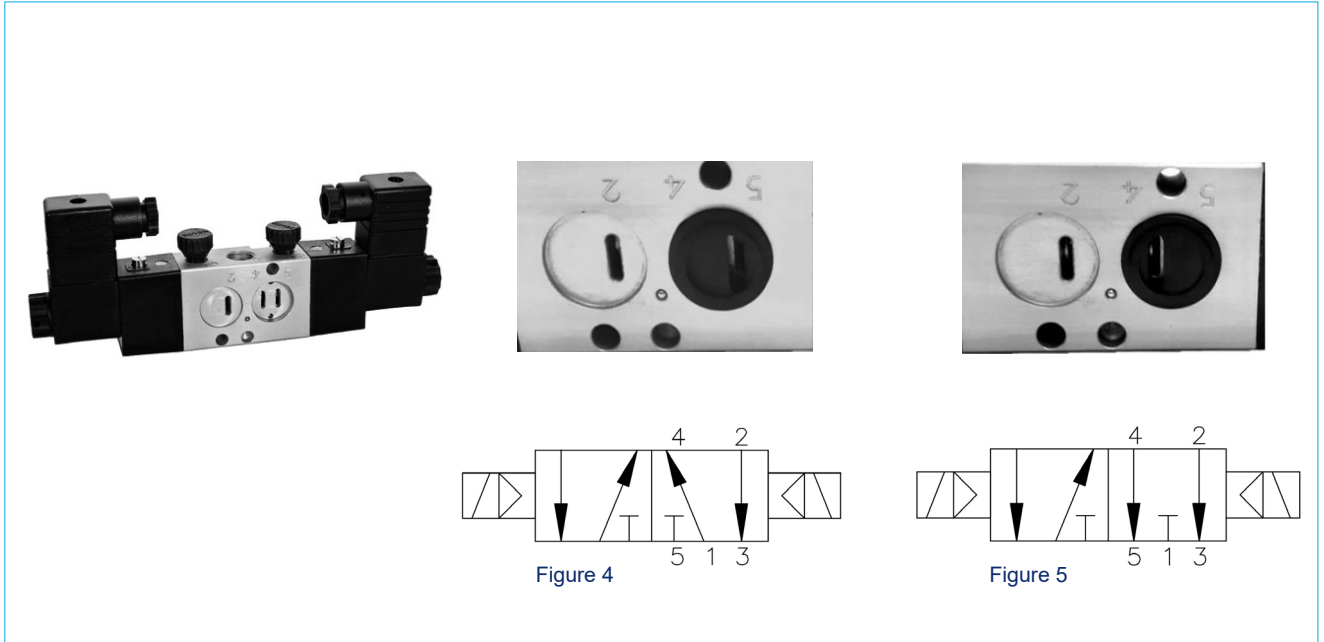


Figure 3 VAQNC113/213

Model No. VAQNC-114/214



Features

- Manual override with lock facility
- IP67 solenoid, Ex version on request
- Corrosion resistant anodized aluminium
- All voltage rating available
- Long lasting PTFE seals
- Cover can be turned 180°C to change position of the manual override

Technical specification

Media	Compressed air, 50 µm. Filtered, lubricated or unlubricated
Type	5/2 and 3/2 way convertible solenoid operated direction control spool valve
Mounting	NAMUR
Orifice	5.3 mm
Flow factor (kv)	18 liters/min
Flow rate (Qn)	800 liters/min
Port size	1/8" and 1/4"
Operating pressure range	2-10 bar
Temperature range (°C)	-20 to 80
Response time at 5 bar	on time 32 msec and off time 48 msec
Manual override type	Push type & rotate to lock
Operating voltage	AC : 110, 220 (50Hz)
DC : 12, 24, 48	Continuous
Duty cycle	Continuous
Coil insulation class	F
Valve body MOC	Aluminium
Seals MOC	NBR

Dimensional Drawings

S150-5EN - 7/2020

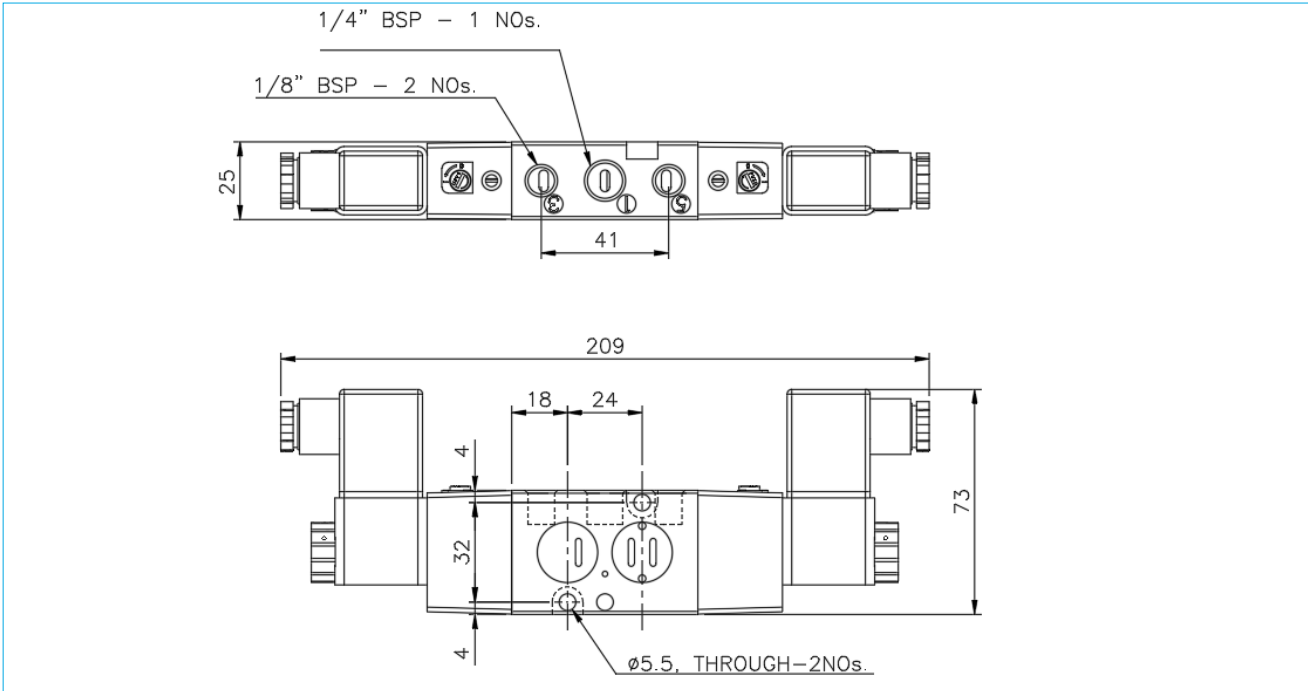


Figure 6 VAQNC114/214

HOW TO ORDER

1	2	3	4	5	6	7
VAQNC	1	13	G	0	0	01D0

1	Valve type
VAQNC	5/2 and 3/2 way convertible solenoid operated direction control spool valve

2	Port size
1	1/8"
2	1/4"

3	Operator
13	Single coil solenoid valve
14	Double coil solenoid valve

4	Port thread type
G	BSP
R	NPT

5	Body material
0	Aluminium
1	SS316

6.	Seal material
0	NBR
1	VITON

7.	Coil voltage
01D0	12VDC
02D0	24VDC
03D0	48VDC
04D0	110VDC
05D0	220VDC
01A0	24VAC
02A0	48VAC
03A0	110VAC
04A0	220VAC
11AL	110VAC-LED
12AL	220VAC-LED
13AL	24VAC-LED
11DL	24VDC-LED

ORDERING EXAMPLE:

1. VAQNC-1-13-G-0-0-01D0. This is a 5/2 position single coil Namur mounted solenoid valve with port size of 1/8" BSP Connection with Aluminium body having NBR seal and coil voltage of 12VDC.

Subject to change without prior notice. Neles, Jamesbury and Easyflow by Neles, and certain other trademarks, are either registered trademarks or trademarks of Neles Corporation or its subsidiaries or affiliates in the United States and/or in other countries. For more information www.neles.com/trademarks

Neles

Vanha Porvoontie 229, 01380 Vantaa, Finland.
Tel. +358 10 417 5000.

neles.com

Reinventing
reliability