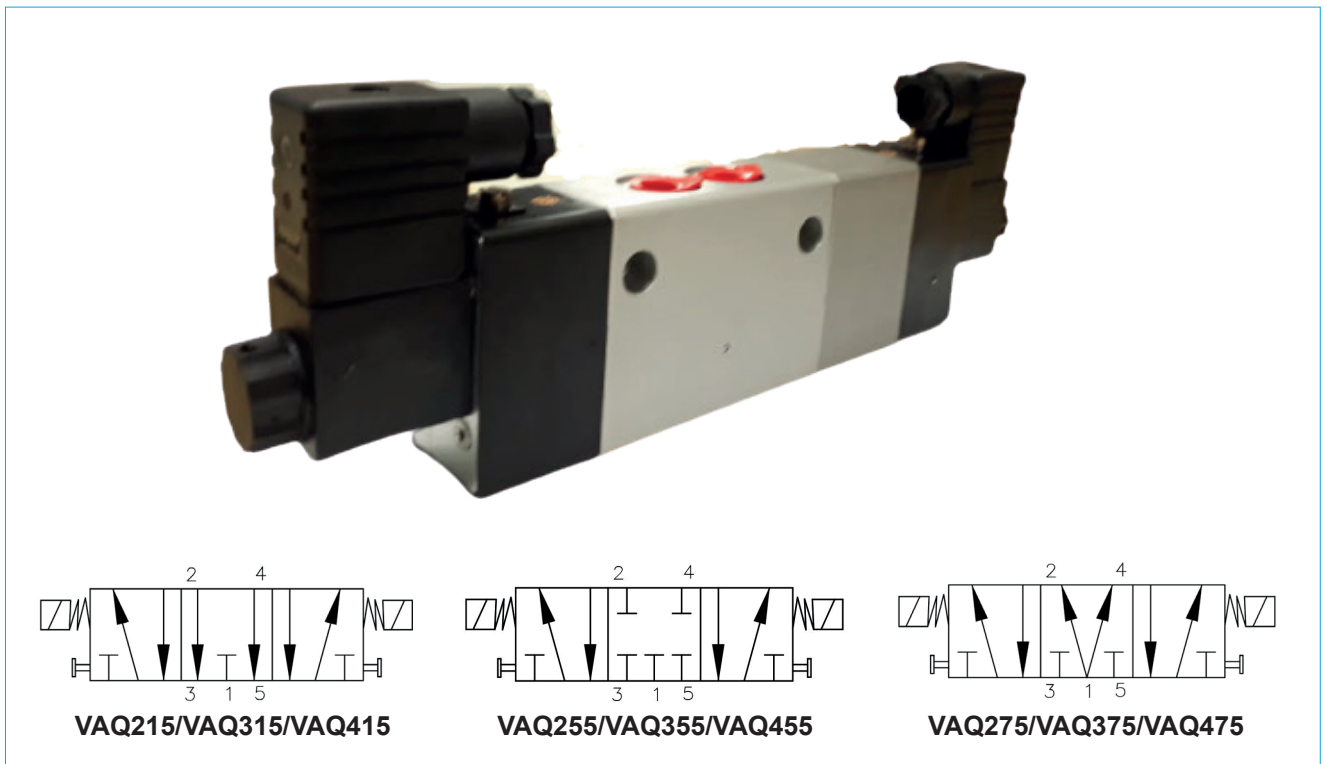


## Easyflow By Neles™ Solenoid valves, series VAQ

5/3 way spool type solenoid valve - double coil

Model No: VAQ215/VAQ315/VAQ255/  
VAQ355/VAQ455/VAQ275

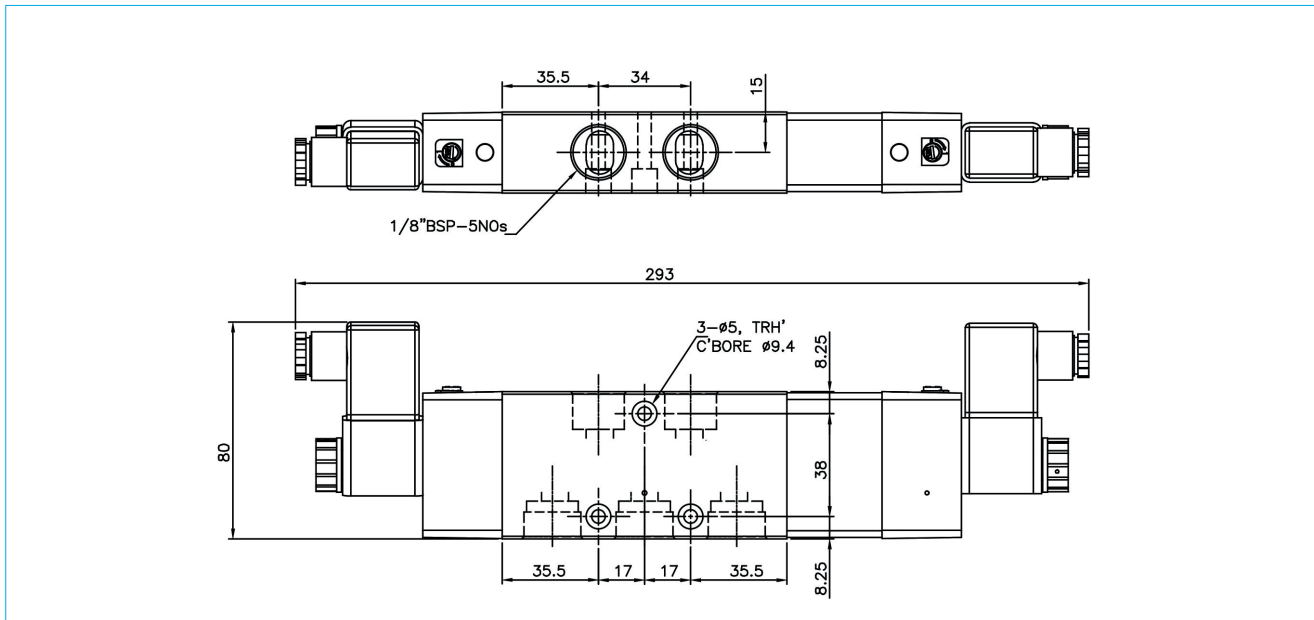


### Features

- Mounts in any position
- Solenoid capable of turning 360°
- Solenoid continuous duty rated
- Noiseless performance
- Available in BSP & NPT port thread type

## TECHNICAL SPECIFICATION

ITEM NO.	UNIT QTY.		
Model	VAQ215 VAQ315 VAQ315	VAQ255 VAQ355 VAQ475	VAQ275 VAQ375 VAQ475
Type	5/3 way spool design, double coil, spring return direction control valve		
Media	Compressed air, 50 µm, filtered, lubricated or unlubricated		
mounting	Through holes in housing, also suitable for mounting on manifold		
Orifice (mm)	10		
Flow factor (kv) (L/min)	33		
Port size	1/4" 3/8" 1/2"	1/4" 3/8" 1/2"	1/4" 3/8" 1/2"
Operating pressure range (bar)	2.5-10		
Temperature range (°C)	-20 to 80		
Response time at 5 bar	On time 32 msec, off time 48 msec		
Manual override type	Screw driver type		
Operating voltage	12, 24, 48 VDC 220 VAC-50 Hz 110 VAC-50Hz		
DC: 12, 24, 48	NBR		
Duty cycle	continuous		
Coil insulation class	F		
Valve body MOC	aluminum		
Seals MOC	NBR		
FEATURE	Double solenoid centre exhaust valve.	Double solenoid centre off valve.	Double solenoid centre pressure valve.



## HOW TO ORDER

1	2	3	4	5	6
VAQ	2	55	G	00	01D0

1.	Valve type
VAQ	5/2 way

2.	Port size
2	1/4"
3	3/8"
4	1/2"

3	Operator
15	Double coil solenoid valve with center exhaust
55	Double coil solenoid valve with center off
75	Double coil solenoid valve with center pressurized

4	Port thread type
G	BSP
R	NPT

5	Seal material
00	NBR
01	VITON

6.	Coil voltage
01D0	12VDC
02D0	24VDC
03D0	48VDC
04D0	110VDC
05D0	220VDC
01A0	24VAC
02A0	48VAC
03A0	110VAC
04A0	220VAC
11AL	110VAC-LED
12AL	220VAC-LED
13AL	24VAC-LED
11DL	24VDC-LED

### ORDERING EXAMPLE:

1. VAQ-2-55-G-00-01D0. This is a 5/3 position double coil center off solenoid valve with port size of 1/4" BSP having coil voltage of 12VDC along with NBR as a seal material.
2. VAQ-4-15-R-00-01A0. This is a 5/3 position double coil center exhaust solenoid valve with port size of 1/2" NPT having coil voltage of 24VAC along with NBR as a seal material.

# Neles

Vanha Porvoontie 229, 01380 Vantaa, Finland.  
Tel. +358 10 417 5000.

**neles.com**

S 150-9EN - 10/2020

Subject to change without prior notice. Neles, Jamesbury and Easyflow by Neles, and certain other trademarks, are either registered trademarks or trademarks of Neles Corporation or its subsidiaries or affiliates in the United States and/or in other countries. For more information [www.neles.com/trademarks](http://www.neles.com/trademarks)

Reinventing  
reliability